

CBD-FA

AIR FILTERS



DESCRIPTION

Air breather, thread mounting

MATERIALS

Housing: Painted steel (black)

SPARE FILTER ELEMENT

VD - Velvet mesh

Filtration degree (in air) 10 μ m.

FD – Fibreglass (on request only)

Filtration degree (in air) 2,5 μ m.

CD – Impregnated cellulose (on request only)

Filtration degree (in air) 10 μ m.

COMPATIBILY (ISO 2943)

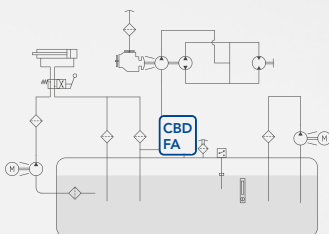
Full with fluids HH-HL-HM-HV-HTG (according to ISO 6743/4).
For fluids different than the above mentioned, please contact
our Customer Service .

WORKING TEMPERATURE

From -25°C to +110°C



HYDRAULIC DIAGRAM

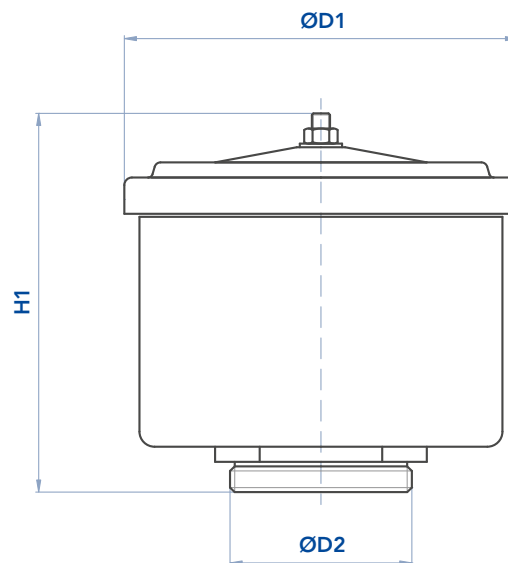


Is this datasheet the latest release? Please check on our website.

ORDERING AND OPTION CHART

C	B	D	COMPLETE FILTER FAMILY				FILTER ELEMENT FAMILY	E	B	D
			SIZE & LENGHT	11	12	13	SIZE & LENGHT			
	B		PORT TYPE							
			B = BSP thread	B	B	B				
1	6		PORT SIZE							
			16 = 2"	16	16	16				
			FILTER MEDIA				FILTER MEDIA			
			VD = velvet mesh	VD	VD	VD				
			FD = fibreglass	FD	FD	FD				
			CD = impregnated cellulose	CD	CD	CD				

INSTALLATION DRAWING



DIMENSIONS

	flow rate (l/min)	D1	D2	H1	KG
CBD11B16VD FA 4352.1	500	130	2" BSP	100	0,50
CBD12B16VD FA 4352.2	1.000	130	2" BSP	130	0,60
CBD13B16VD FA 4352.3	1.500	130	2" BSP	175	0,80